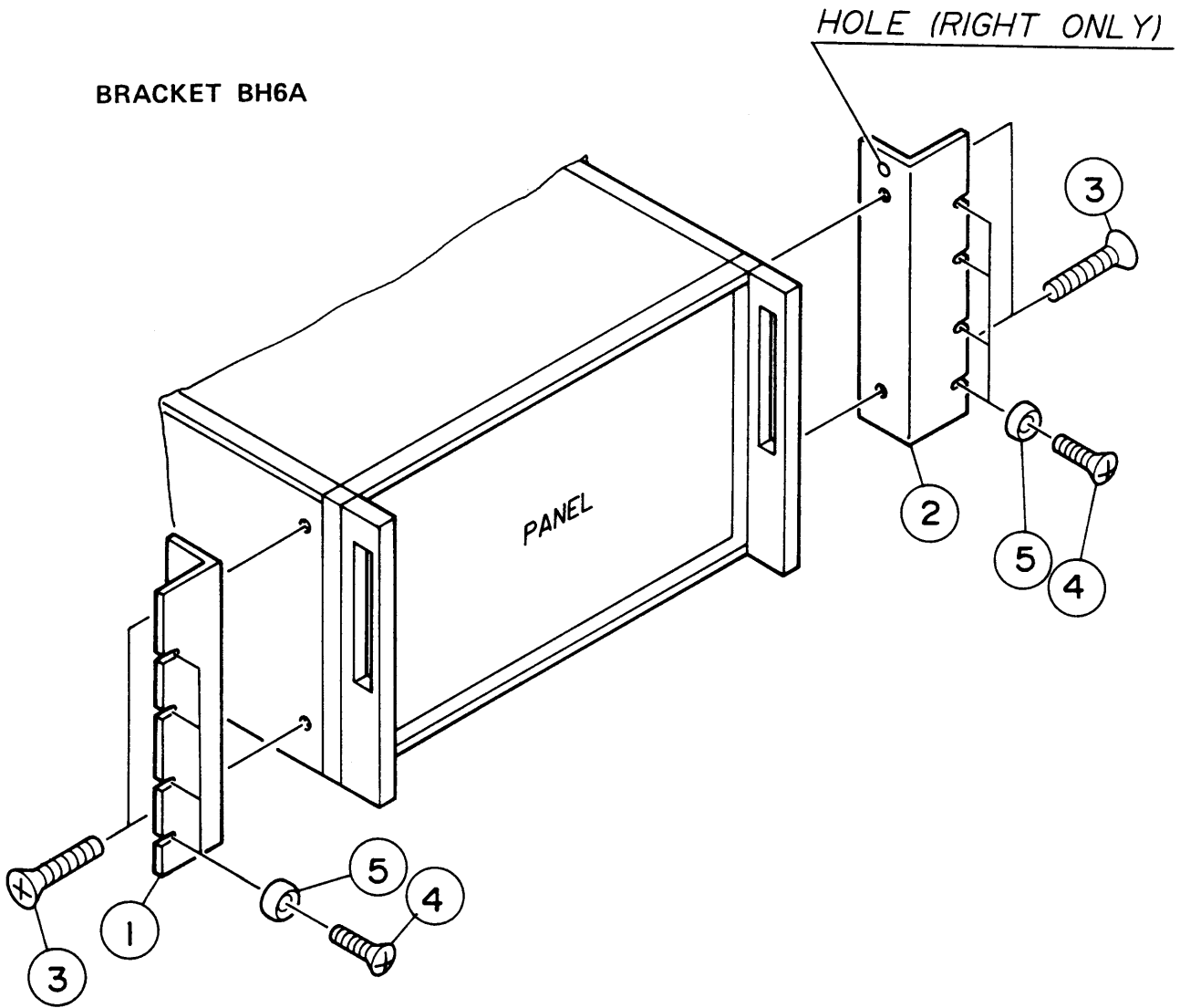


BRACKET BH6A



NO.	DESCRIPTION	QTY	CODE NO.
1	BRACKET LEFT BH6A	1	D3-852-011
2	BRACKET RIGHT BH6A	1	D3-852-021
3	SCREW, FLAT HEAD M6x1x25 S-ZN	4	M2-001-213
4	SCREW, OVAL HEAD M5x0.8x14 B-NI	8	M2-002-091
5	FINISHING WASHER 5CW	8	M5-003-031